

X-Energy

LZM 1-4 Circuit-Breaker (Up to 1600 A)

Switching and Protection



EATON

Powering Business Worldwide

MOELLER 

An Eaton Brand



THERMOMAGNETIC RELEASE				
Rated current = rated uninterrupted current	Setting range overload release	Short-circuit release adjustable	Circuit-breaker with Basic switching capacity 25 kA at 415 V 50/60 Hz	
			Part No.	Part No.
In=lu A	I _r A	I _i A	3-pole	4-pole
LZM 1 SERIES				
20	15-20	350	LZMB1-A20	LZMB1-4-A20
25	20-25	350	LZMB1-A25	LZMB1-4-A25
32	25-32	350	LZMB1-A32	LZMB1-4-A32
40	32-40	320-400	LZMB1-A40	LZMB1-4-A40
50	40-50	300-500	LZMB1-A50	LZMB1-4-A50
63	50-63	380-630	LZMB1-A63	LZMB1-4-A63
80	63-80	480-800	LZMB1-A80	LZMB1-4-A80
100	80-100	600-1000	LZMB1-A100	LZMB1-4-A100
125	100-125	750-1250	LZMB1-A125	LZMB1-4-A125
160	125-160	1280	LZMB1-A160	LZMB1-4-A160
LZM 2 SERIES				
20	15-20	350	-	-
25	20-25	350	-	-
32	25-32	350	-	-
40	32-40	320-400	-	-
50	40-50	300-500	-	-
63	50-63	380-630	-	-
80	63-80	480-800	-	-
100	80-100	600-1000	-	-
125	100-125	750-1250	-	-
160	125-160	960-1600	LZMB2-A160	LZMB2-4-A160
200	160-200	1200-2000	LZMB2-A200	LZMB2-4-A200
250	200-250	1500-2500	LZMB2-A250	LZMB2-4-A250
LZM 3 SERIES				
320	250-320	1920-3200	-	-
320	250-320	1920-3200	-	-
400	320-400	2400-4000	-	-
400	320-400	2400-4000	-	-
500	400-500	3000-5000	-	-
500	400-500	3000-5000	-	-

ELECTRONIC RELEASE				
LZM 3 SERIES				
400	200-400	800-4400	-	-
630	315-630	1260-5040	-	-
LZM4 SERIES				
800	400-800	1600-9600	-	-
1000	500-1000	2000-12000	-	-
1250	630-1250	2500-15000	-	-
1600	800-1600	3200-19200	-	-

Circuit-breaker with Comfort switching capacity 36 kA at 415 V 50/60 Hz		Circuit-breaker with Normal switching capacity 50 kA at 415 V 50/60 Hz		Circuit-breaker with High switching capacity 70 kA at 415 V 50/60 Hz	
Part No.	Part No.	Part No.	Part No.	Part No.	Part No.
3-pole	4-pole	3-pole	4-pole	3-pole	4-pole

LZMC1-A20	LZMC1-4-A20	LZMN1-A20	LZMN1-4-A20	LZMS1-A20	LZMS1-4-A20
LZMC1-A25	LZMC1-4-A25	LZMN1-A25	LZMN1-4-A25	LZMS1-A25	LZMS1-4-A25
LZMC1-A32	LZMC1-4-A32	LZMN1-A32	LZMN1-4-A32	LZMS1-A32	LZMS1-4-A32
LZMC1-A40	LZMC1-4-A40	LZMN1-A40	LZMN1-4-A40	LZMS1-A40	LZMS1-4-A40
LZMC1-A50	LZMC1-4-A50	LZMN1-A50	LZMN1-4-A50	LZMS1-A50	LZMS1-4-A50
LZMC1-A63	LZMC1-4-A63	LZMN1-A63	LZMN1-4-A63	LZMS1-A63	LZMS1-4-A63
LZMC1-A80	LZMC1-4-A80	LZMN1-A80	LZMN1-4-A80	LZMS1-A80	LZMS1-4-A80
LZMC1-A100	LZMC1-4-A100	LZMN1-A100	LZMN1-4-A100	LZMS1-A100	LZMS1-4-A100
LZMC1-A125	LZMC1-4-A125	LZMN1-A125	LZMN1-4-A125	LZMS1-A125	LZMS1-4-A125
LZMC1-A160	LZMC1-4-A160	LZMN1-A160	LZMN1-4-A160	LZMS1-A160	LZMS1-4-A160

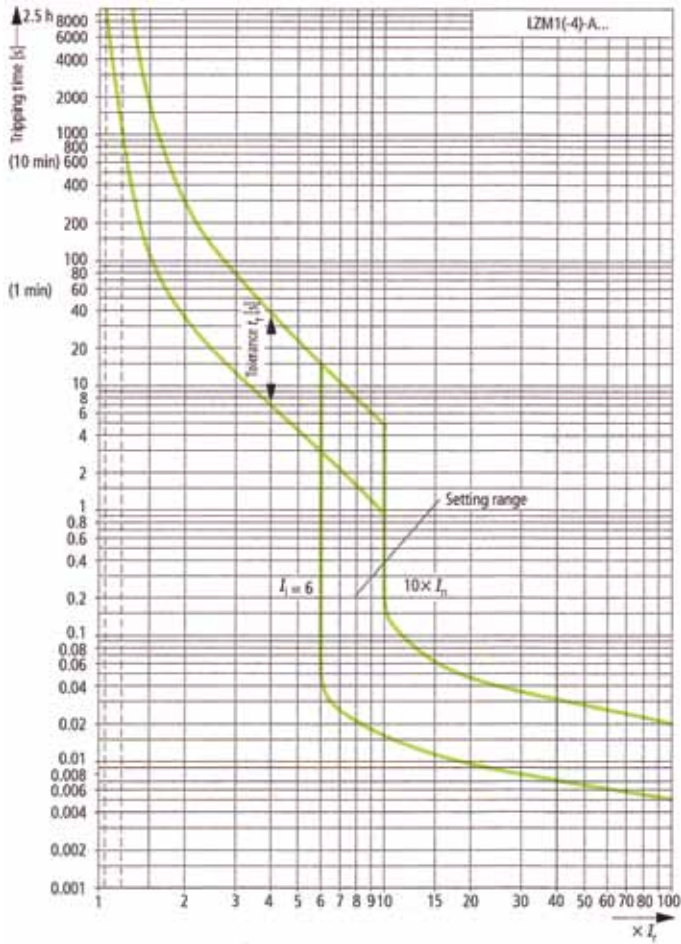
-	-	-	-	LZMS2-A20	LZMS2-4-A20
-	-	-	-	LZMS2-A25	LZMS2-4-A25
-	-	-	-	LZMS2-A32	LZMS2-4-A32
-	-	-	-	LZMS2-A40	LZMS2-4-A40
-	-	-	-	LZMS2-A50	LZMS2-4-A50
-	-	-	-	LZMS2-A63	LZMS2-4-A63
-	-	-	-	LZMS2-A80	LZMS2-4-A80
-	-	-	-	LZMS2-A100	LZMS2-4-A100
-	-	-	-	LZMS2-A125	LZMS2-4-A125
LZMC2-A160	LZMC2-4-A160	LZMN2-A160	LZMN2-4-A160	LZMS2-A160	LZMS2-4-A160
LZMC2-A200	LZMC2-4-A200	LZMN2-A200	LZMN2-4-A200	LZMS2-A200	LZMS2-4-A200
LZMC2-A250	LZMC2-4-A250	LZMN2-A250	LZMN2-4-A250	LZMS2-A250	LZMS2-4-A250

LZMC3-A320	LZMC3-4-A320	LZMN3-A320	LZMN3-4-A320	LZMS3-A320	LZMS3-4-A320
-	-	-	-	-	-
LZMC3-A400	LZMC3-4-A400	LZMN3-A400	LZMN3-4-A400	LZMS3-A400	LZMS3-4-A400
-	-	-	-	-	-
LZMC3-A500	LZMC3-4-A500	LZMN3-A500	LZMN3-4-A500	LZMS3-A500	LZMS3-4-A500
-	-	-	-	-	-

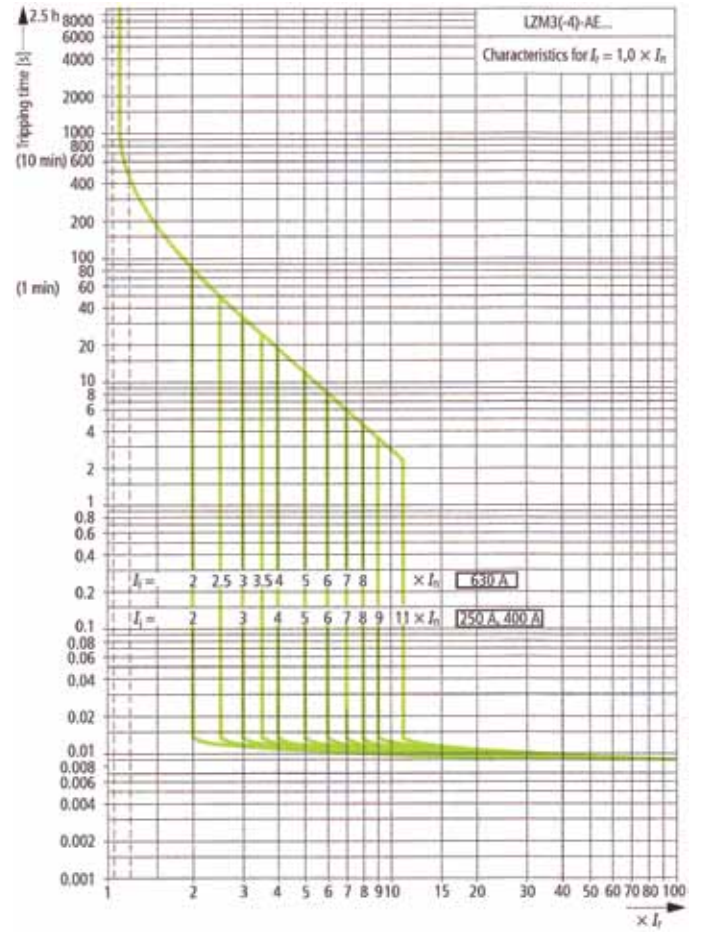
-	-	LZMN3-AE400	LZMN3-4-AE400	LZMS3-AE400	LZMS3-4-AE400
-	-	LZMN3-AE630	LZMN3-4-AE630	LZMS3-AE630	LZMS3-4-AE630

-	-	LZMN4-AE800	LZMN4-4-AE800	LZMS4-AE800	LZMS4-4-AE800
-	-	LZMN4-AE1000	LZMN4-4-AE1000	LZMS4-AE1000	LZMS4-4-AE1000
-	-	LZMN4-AE1250	LZMN4-4-AE1250	LZMS4-AE1250	LZMS4-4-AE1250
-	-	LZMN4-AE1600	LZMN4-4-AE1600	LZMS4-AE1600	LZMS4-4-AE1600

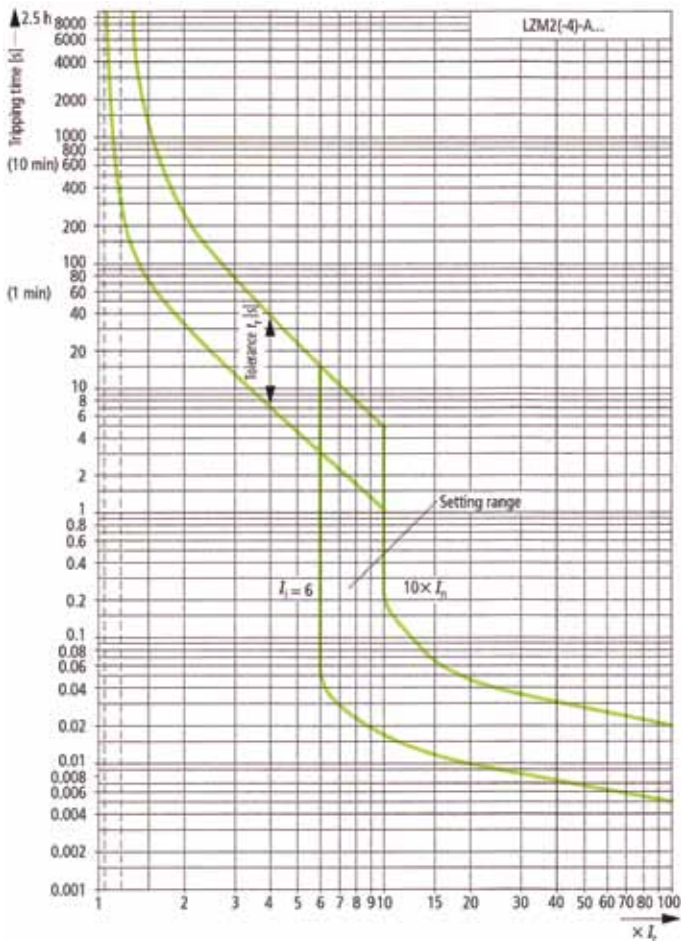
System and line protection with LZM1



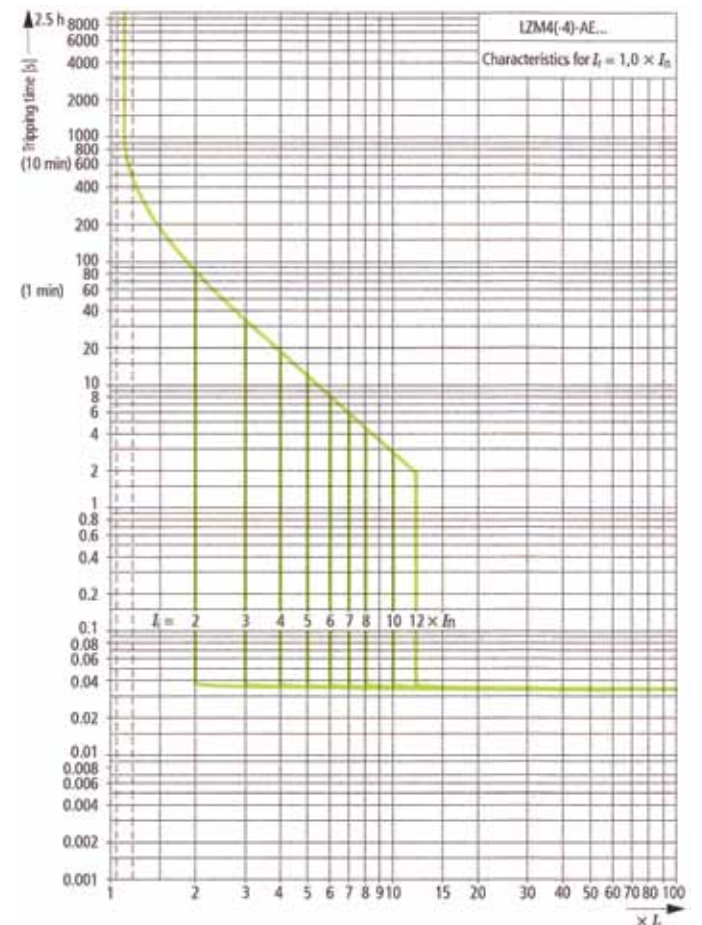
System and line protection with LZM3



System and line protection with LZM2



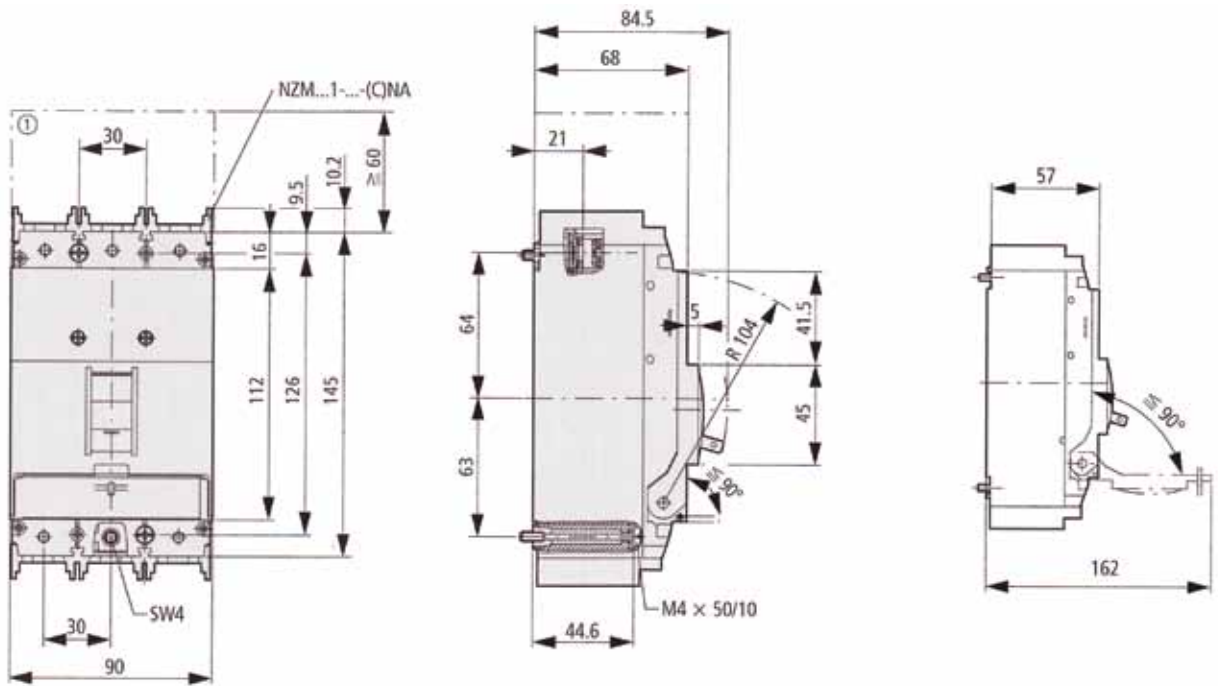
System and line protection with LZM4



Circuit-breaker

3 pole

LZMB1
LZMC1
LZMN1
LZMS1

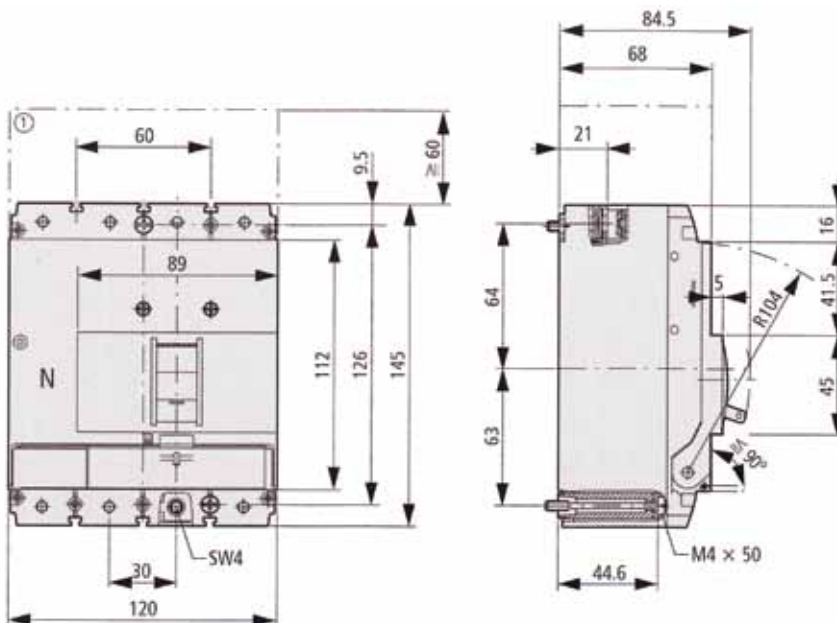


a Blow out area, minimum clearance to other parts ≥ 60 mm

Circuit-breaker

4 pole

LZMB1-4
LZMC1-4
LZMN1-4
LZMS1-4



a Blow out area, minimum clearance to other parts ≥ 60 mm

Covers

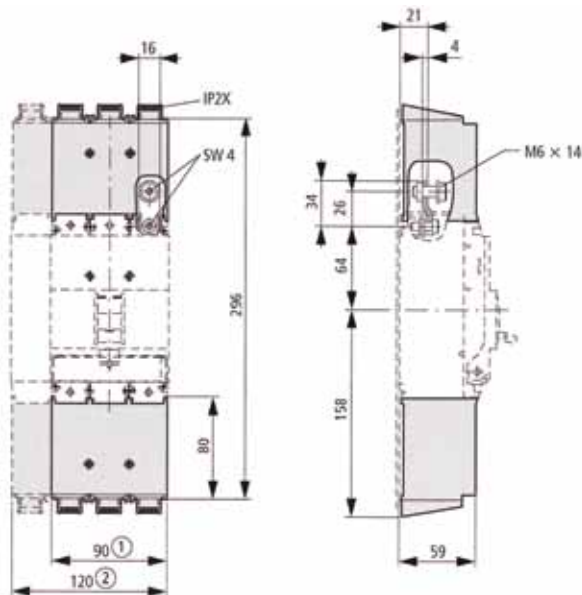
NZM1(-4)-XKSA

Screw Connection

NZM1(-4)-XKS

IP@X protection against contact with a finger for shroud

NZM1(-4)-XIPA
Screw connection

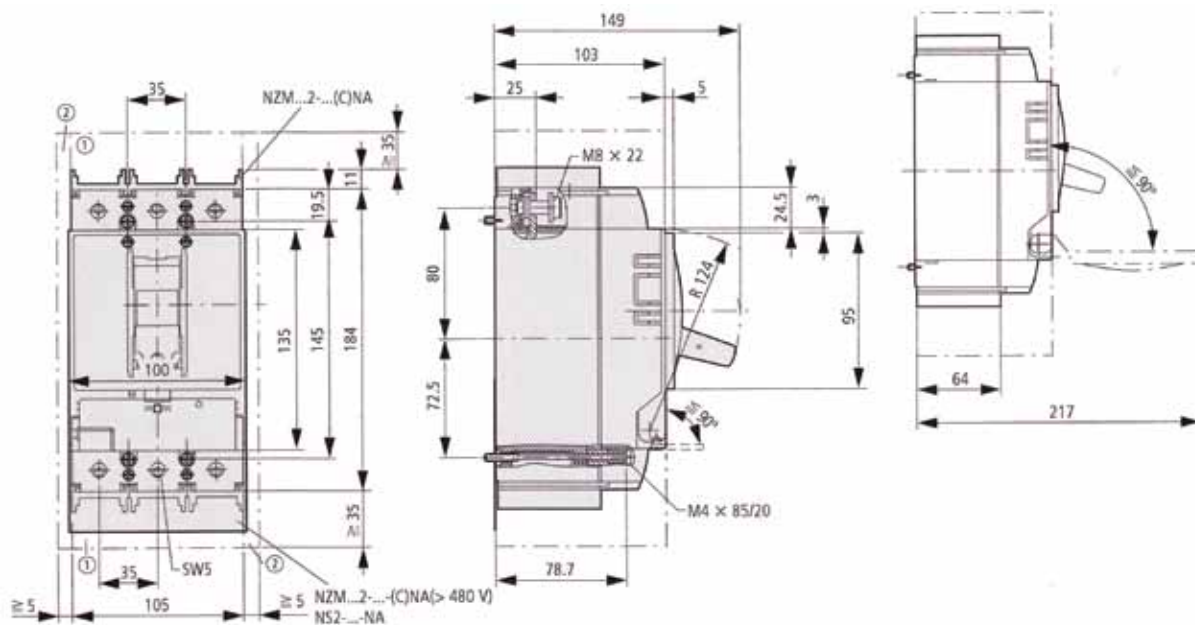


a 3 pole
b 4 pole

Circuit-breaker

3 pole

LZMB2
LZMC2
LZMN2
LZMS2



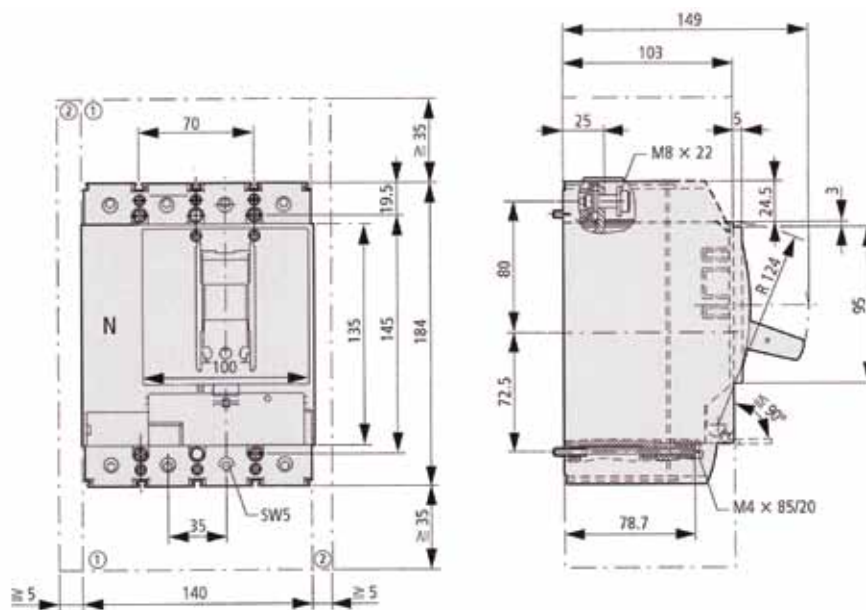
a Blow out area, minimum clearance to other parts ≥ 35 mm

b Minimum clearance to adjacent parts ≥ 5 mm

Circuit-breaker

4 pole

LZMB2-4
LZMC2-4
LZMN2-4
LZMS2-4



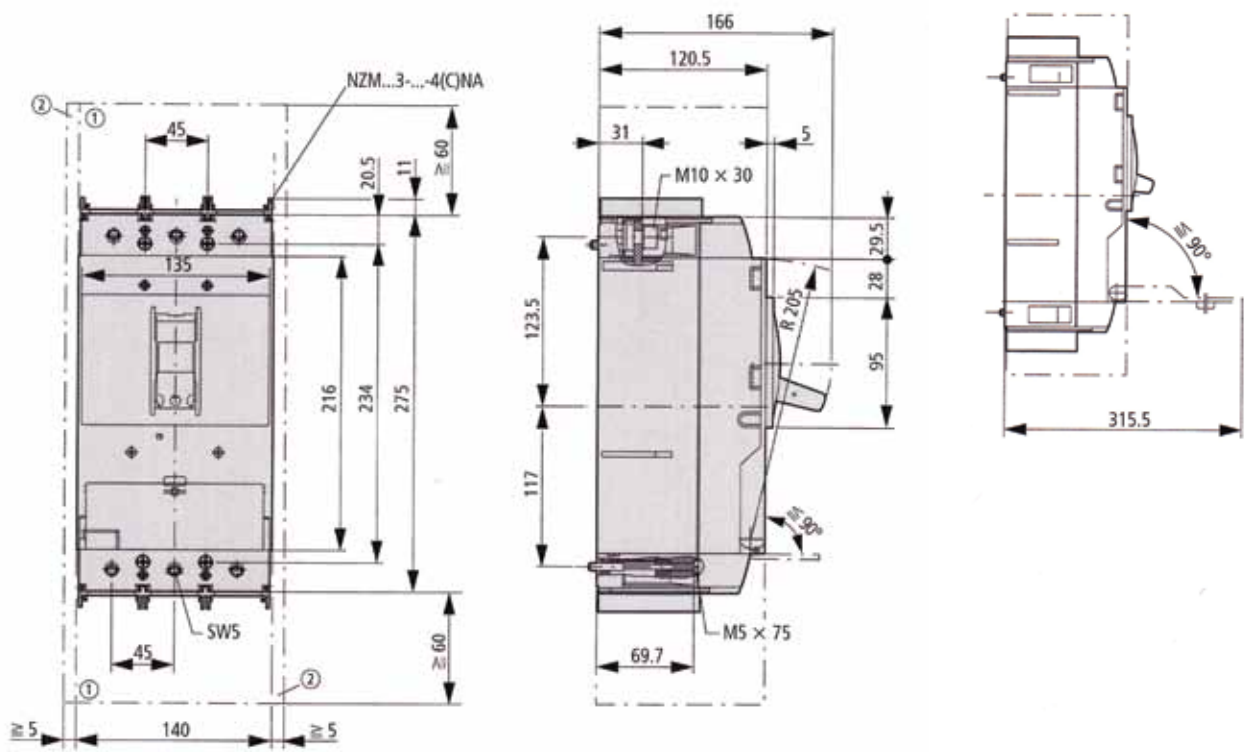
a Blow out area, minimum clearance to other parts ≥ 35 mm

b Minimum clearance to adjacent parts ≥ 5 mm

Circuit-break

3 pole

LZMC3
LZMN3
LZMS3



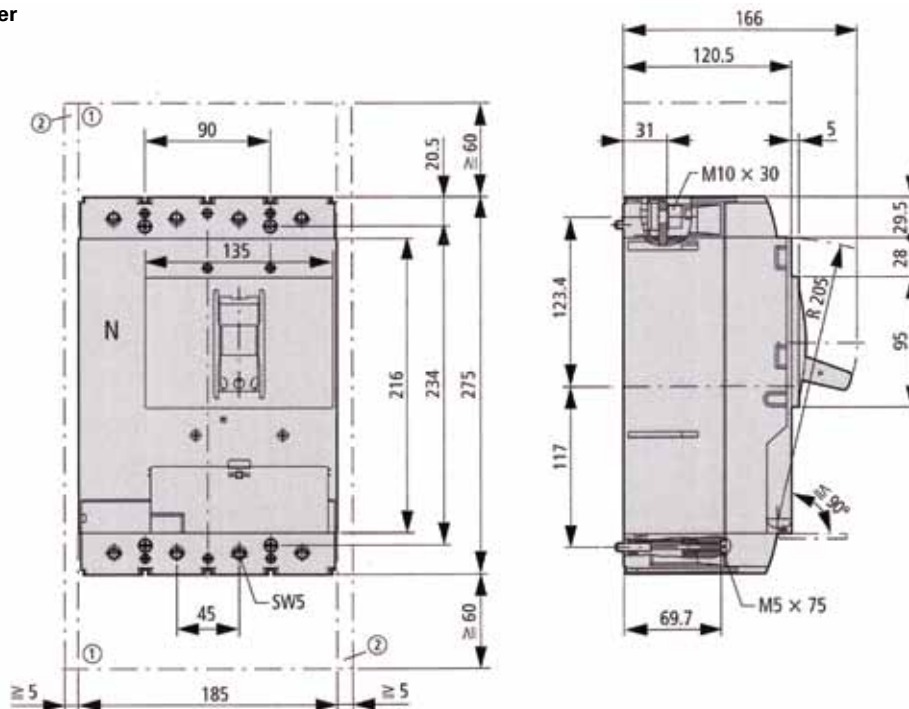
a Blow out area, minimum clearance to other parts ≥ 60 mm

b Minimum clearance to adjacent parts ≥ 5 mm

Circuit-breaker

3 pole

LZMC3-4
LZMN3-4
LZMS3-4



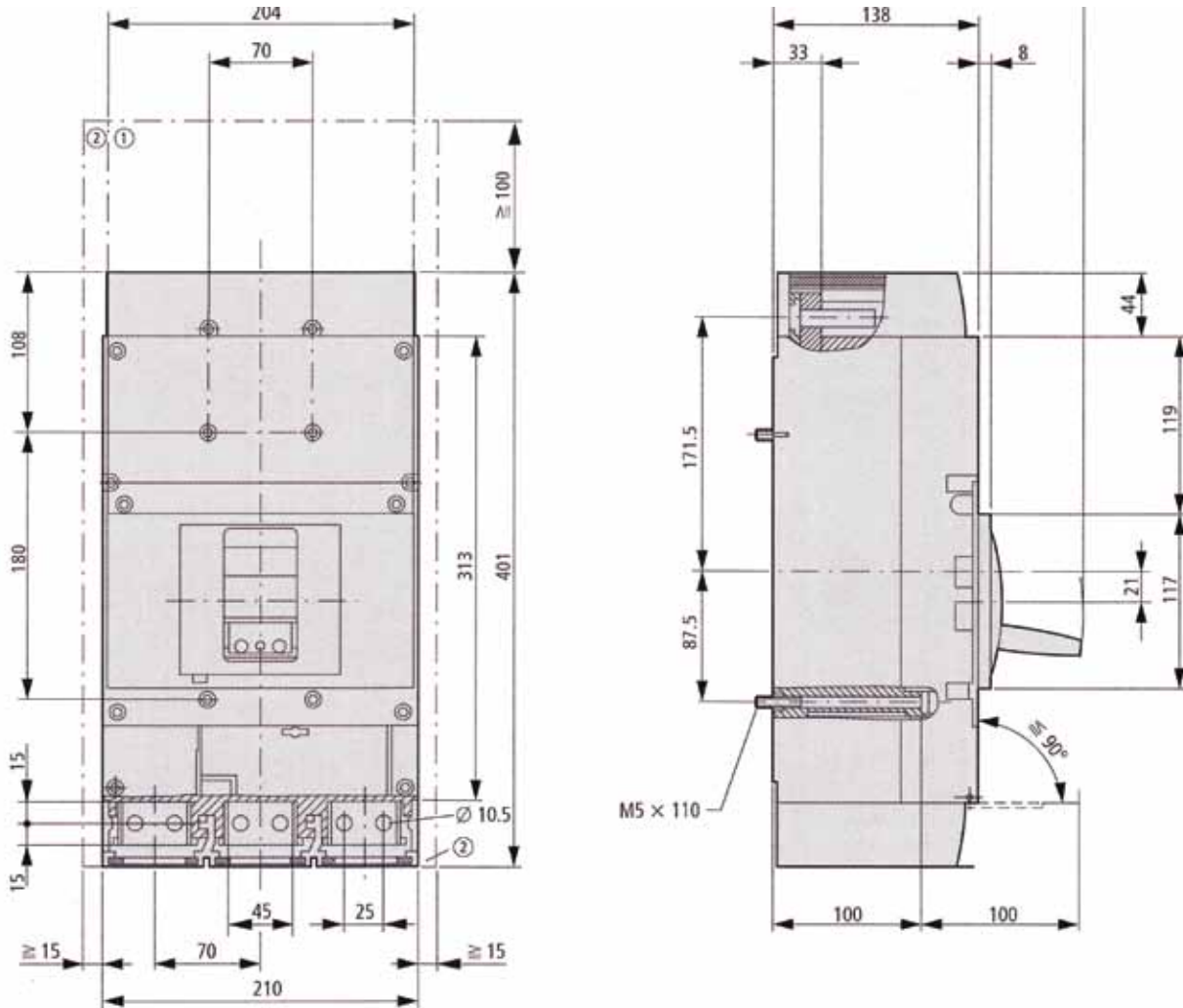
a Blow out area, minimum clearance to other parts ≥ 60 mm

b Minimum clearance to adjacent parts ≥ 5 mm

Circuit-breaker

3 pole

LZMN4
LZMS4



a Blow out area, minimum clearance to other parts ≥ 100 mm up to 690 V

b Minimum clearance to adjacent parts ≥ 15 mm

In 2008, Eaton acquired the Moeller Group, strengthening its global IEC control portfolio. Today that broad offering of IEC control components is available globally under the Eaton brand.

Moeller Electric Pte Ltd
4 Loyang Lane #04-01
Singapore 508914
T : +65 6825 1668
F : +65 6825 1689

For more Information, please kindly contact:

© 2009 Eaton Corporation, All Rights Reserved.
Printed in Singapore
June 2010
Article No. :2010_LZM

